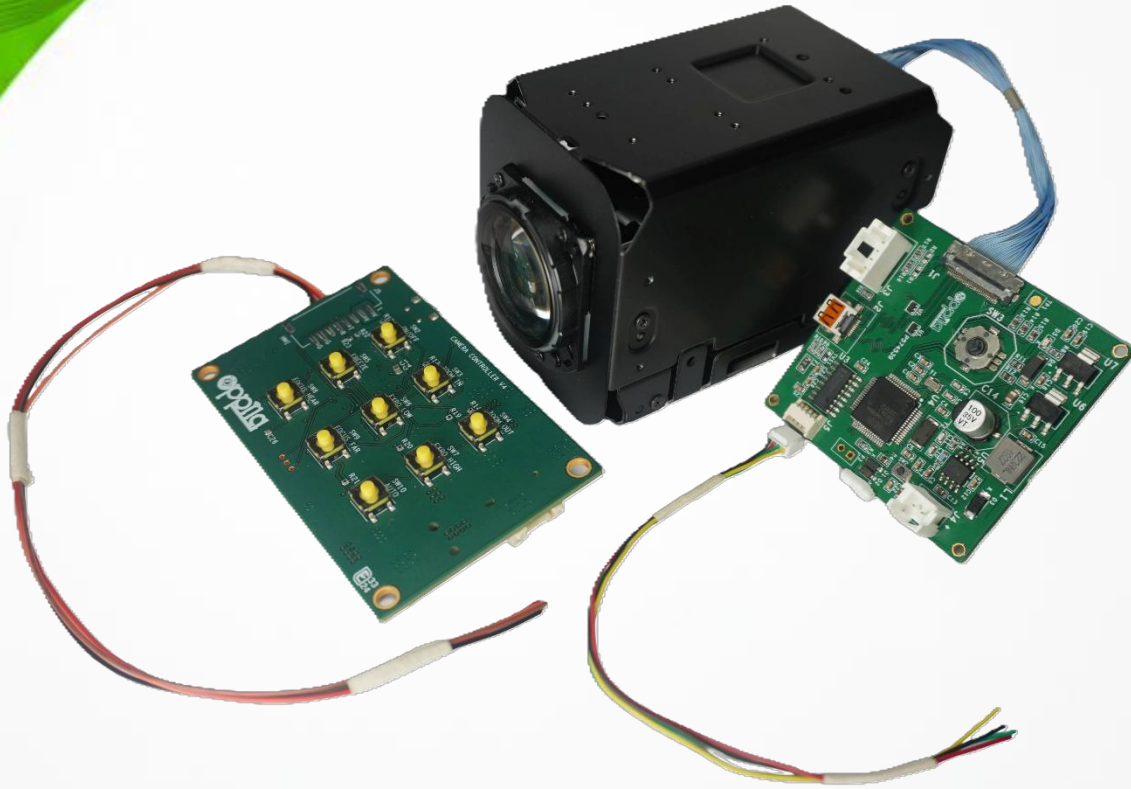


WIRED 4K OT LIGHT CAMERA

30× Optical Zoom Surgical Camera – Sony FCB, 4K UHD HDMI Output with VISCA Control



KEY HIGHLIGHTS

At a glance — performance parameters for the Wired 4K OT Light Camera system

- **Resolution** - 4K UHD 3840 x 2160 @ 30 fps
- **Optical Zoom** - 20x (FCB-ER8530)
- **Video Output** - HDMI 2.0 Connector
- **Camera Control** - VISCA over UART – RS232/RS422/TTL
- **Power input** - 12V DC

APPLICATIONS:

- Surgical video recording and documentation in operating theatres
- Real-time procedural visualization for surgical teams
- OT light integration with embedded wired camera heads
- Medical imaging and telemedicine relay
- Training and clinical education video capture

PRODUCT OVERVIEW:

Oppila's Wired 4K OT Light Camera is a high-performance surgical imaging solution designed for integration into Operating Theatre (OT) lighting fixtures. Built around proven Sony FCB camera blocks, the system delivers visually lossless 4K UHD video at 30 fps via direct HDMI output, ensuring zero-interference, low-latency imaging for real-time procedural documentation and visualization.

The system supports Sony FCB-ER8530 (20× optical zoom) and includes full VISCA-protocol camera control through keypad. It is purpose-built for clinical environments demanding consistent, interference-free imaging.

Contact Oppila for Custom product requirements
info@oppila.in; www.oppila.in

CAMERA CONTROL FUNCTIONS

- Optical Zoom In / Out
- Focus Control — Manual and Auto
- White Balance Presets — For accurate colour rendering under OT lighting
- Exposure Control — Adaptive to surgical lighting conditions
- Picture Enhancement Settings (Noise Reduction, Defog, WDR, Aperture)
- Image Processing features like Auto Back Light Compensation, Electronic Shutter Speed, Gain Control, etc.,

TECHNICAL SPECIFICATION

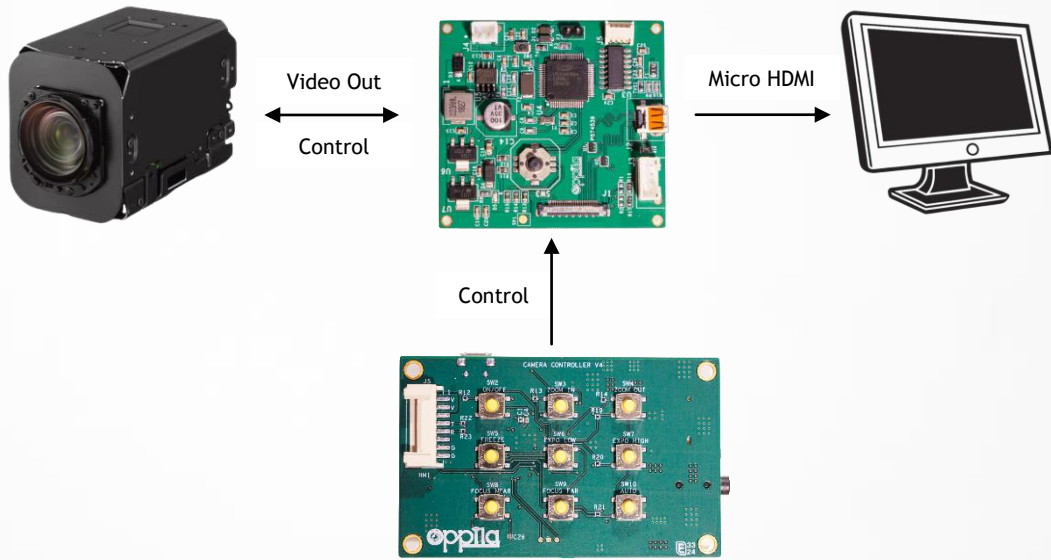
Optical Zoom	20× (4.4 mm – 88 mm)
Angle of View (H)	70.2° (Wide) – 4.1° (Tele)
Aperture	F2.0 (Wide) – F3.8 (Tele)
Min. Working Distance	80 mm (Wide), 800 mm (Tele)
Min. Illumination	0.4 lx (1/30 s, High Sensitivity On)
Rec. Illumination	100 lx – 100,000 lx
Power supply	12 V DC
Operating Temperature	-5 °C to +60 °C (23 °F to 140 °F)
Dimensions (L × W × H) – Camera	50 mm × 60 mm × 89.7 mm
Dimensions (L × W) -Interface board	50 mm × 50 mm
Mass	Approx. 239 g
Dimensions (L × W) - Camera control board	80 mm × 50 mm

KIT CONTENTS

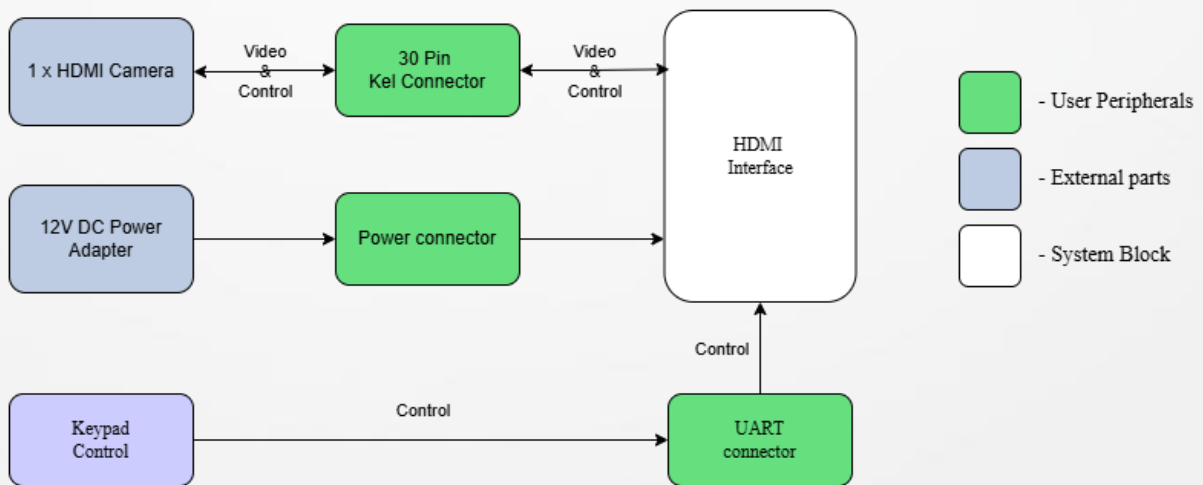
Item	Description
Sony camera block	FCB – ER8530
HDMI Interface Board	Oppila's Camera Interface Board (50 × 60 mm)
Camera control board	Oppila's Camera Control Board (50 × 60 mm)
Power Cable	2-pin 12 V DC power cable (included with kit)
Cables	Micro-coaxial LVDS cable and UART cable for camera connectivity (optional)
USB Cable	Certified USB 3.0 Type-C cable (optional accessory)
Mounting Hardware	Screws and spacers for camera-to-board integration (optional accessory)
User Documentation	Product datasheet and setup instructions (digital copy)

Contact Oppila for Custom product requirements
info@oppila.in; www.oppila.in

SYSTEM BLOCK DIAGRAM



BOARD BLOCK DIAGRAM



Contact Oppila for Custom product requirements
info@oppila.in; www.oppila.in